

SPEED QUEEN MULTI-HOUSING

QUANTUM® GOLD COIN DROP INSTALLED, PREP FOR COIN, PREP FOR CARD

COMMERCIAL TOP LOAD WASHER

Built for Reliable Performance

Speed Queen's two-speed top load washer, defined by its simplicity and its performance, provides everything you need to get the job done – and nothing you don't. Speed Queen's top load washer combines heavy-duty construction with reliable operation proven to stand the test of time. Speed Queen washers provide maximum energy efficiency and long-lasting performance.

- Touch pad control with sound annunciator
- 27 cycle selections
- Extract speed of 710 RPM spins clothes out drier
- Integrated meter case
- Advanced suspension system
- Easy-to-read digital display
- Cycle programming flexibility
- Multi-level vend pricing
- Individual cycle modifier keys
- Durable stainless steel tub standard
- 3.19 cu. ft. (90.3 liters) wash capacity
- Large capacity meter case standard
- Wash Alert™ capability

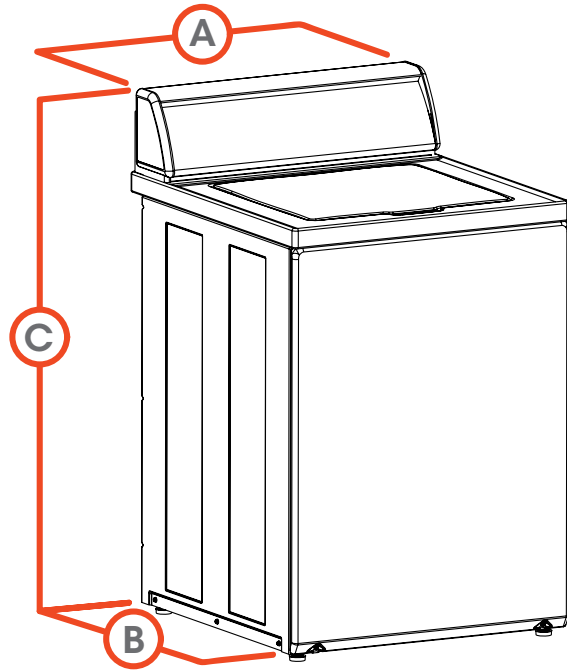


The cutting edge Quantum control system from Speed Queen gives you the freedom to manage laundry your way with the power to achieve unmatched levels of revenue. Quantum Gold provides users with additional cycle choices while offering new options to help lower operating costs and incorporates tools and options to increase revenue.




SPECIFICATIONS

COMMERCIAL TOP LOAD WASHER

MODEL - see below for all models and activation available	
CONTROL OPTION	Quantum Gold
COLOR	White
CAPACITY - lb (kg)	16 (7.3)
OVERALL WIDTH - in (mm)	25.63 (651)
OVERALL DEPTH - in (mm)	28 (711)
OVERALL HEIGHT - in (mm)	43 (1092)
CYLINDER VOLUME - cu. ft. (liters)	3.19 (90.3)
SPIN SPEED G-FORCE (RPM)	150 (710)
MOTOR SIZE - HP (kw)	0.5 (0.37)
WATER CONSUMPTION PER CYCLE - g (liter)	28.07 (106)
IWF (WATER FACTOR) - gal/ft ³ (liters/liter/cycle)	8.8 (1.18)
MEF ₁₂ (Modified Energy Factor) ft ³ /kWh/cycle (Liters/kWh/cycle)	1.35 (38.2)
AVAILABLE WATER TEMPERATURES	Hot, Warm, Cold
AVAILABLE CYCLES	Light, Medium, Heavy, Normal, Perm Press, Delicate
ELECTRICAL REQUIREMENTS (v/Hz/Ph-Amp)	120/60/1 - 15 Amp
WATER PRESSURE - p.s.i. (bar)	20-120 (1.4/8.3)
DRAIN	Pump
CYLINDER FINISH	Stainless Steel
NET WEIGHT - lb (kg)	206 (93.4)
SHIPPING WEIGHT - lb (kg)	218 (98.8)
SHIPPING DIMENSIONS APPROX. - in (mm)	Width 28 (711)
	Depth 30 (762)
	Height 45 (1143)
AGENCY APPROVALS	cULus



A.	OVERALL WIDTH - in (mm)	25.625 (651)
B.	OVERALL DEPTH - in (mm)	28 (711)
C.	OVERALL HEIGHT - in (mm)	43 (1092)

MODELS	ACTIVATION	
SWNNC2SP115TW01	Coin Drop Installed	
SWNNX2SP115TW01 SWNWX2SP115TW01*	Prep for Coin	
SWNNY2SP115TW01 SWNWy2SP115TW01*	Prep for Card	

*Wireless Network Board Factory Installed

For the most accurate information, the installation guide should be used for all design and construction purposes. Due to continuous product improvements, design and specifications subject to change without notice. The quality management systems of Alliance Laundry Systems are registered to ISO 9001.